

Check Valves

PRODUCT DESCRIPTION

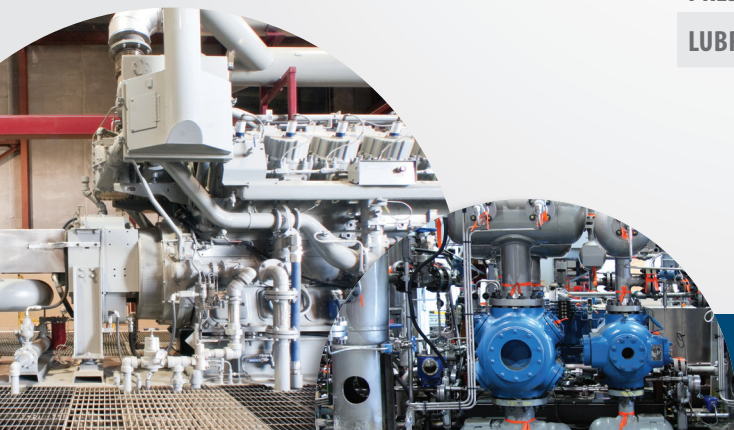
CPI check valves are designed for high pressure applications where reverse flow and leakage must be kept to a minimum. Typical applications include engine, pump and compressor cylinder / packing lubrication and hydraulic systems. A relatively stiff spring in these check valves serves to increase the reliability of the circuit.

FEATURES & BENEFITS

- Simple installation
- One piece design

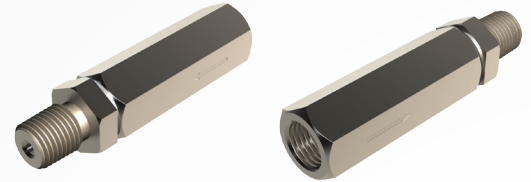
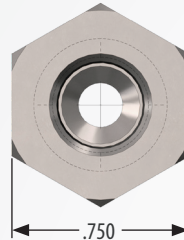
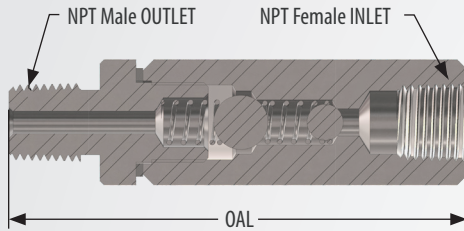
TECHNICAL SPECIFICATIONS

BODY	Carbon Steel / Stainless Steel
BALL	Type 440 F Stainless Steel
SPRINGS	Stainless Steel
MAXIMUM OPERATING TEMPERATURE	400°F (204.5°C)
CRACKING PRESSURE	80-100 PSI (5.5-6.9 BAR)
MAXIMUM OPERATING PRESSURE	Up to 8,000 PSI (552 BAR)
LUBRICANT	Oil or Grease (Petroleum or Synthetic)

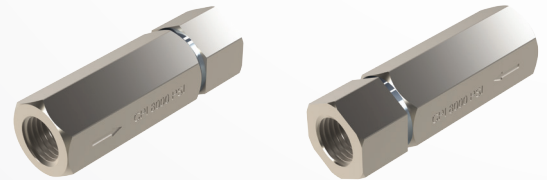
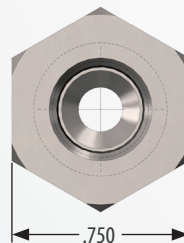
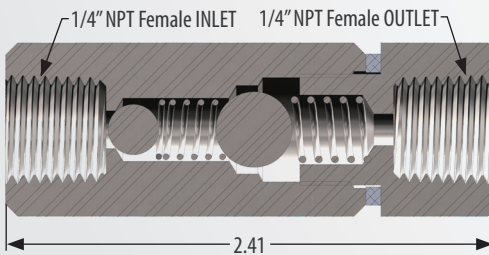


CPI Check Valve Overview

INLINE DOUBLE BALL

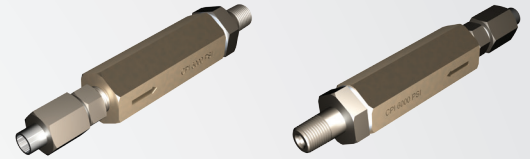
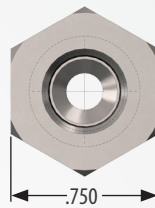
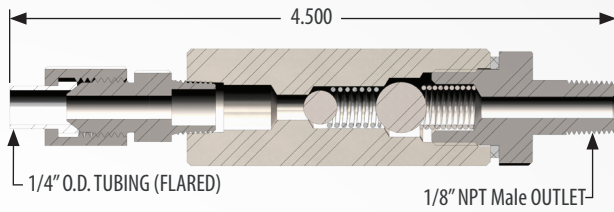


PART NO.	MAX PSI	INLET	OUTLET	MATERIAL	OAL	GASKET
65002000090023	8000	1/8" NPT Female	1/8" NPT Male	Steel	3.19"	Aluminum
65002000090024	8000	1/4" NPT Female	1/4" NPT Male	Steel	3.19"	Aluminum
65002000090254	8000	1/8" NPT Female	1/4" NPT Male	Steel	3.19"	Aluminum
65002000090255	8000	1/4" NPT Female	1/8" NPT Male	Steel	3.19"	Aluminum
65002000090025	8000	1/8" NPT Female	1/8" NPT Male	300 Stainless	3.19"	Stainless
65002000090026	8000	1/4" NPT Female	1/4" NPT Male	300 Stainless	3.19"	Stainless
65002000092878	8000	1/4" NPT Female	1/4" NPT Male	316 Stainless	3.19"	Stainless
65002000093392	8000	1/4" NPT Female	1/4" NPT Male	300 Stainless	3.19"	Brass
65002000092349	8000	1/4" NPT Female	1/4" NPT Male	300 Stainless	3.19"	Stainless
65002000090291	8000	1/8" NPT Female	1/4" NPT Male	300 Stainless	3.19"	Stainless
65002000090290	8000	1/4" NPT Female	1/8" NPT Male	300 Stainless	3.19"	Stainless
65002000092196	8000	1/4" NPT Female	1/4" NPT Male	Steel	3.72"	Aluminum
65002000093789	8000	1/4" NPT Female	1/8" NPT Male	300 Stainless	3.75"	Stainless
65002000091638	8000	1/4" NPT Female	1/4" NPT Male	300 Stainless	3.75"	Stainless
65002000090769	8000	1/4" NPT Male	1/4" NPT Male	Steel	4.31"	Aluminum
65002000090338	8000	1/4" NPT Male	1/4" NPT Male	300 Stainless	4.31"	Stainless

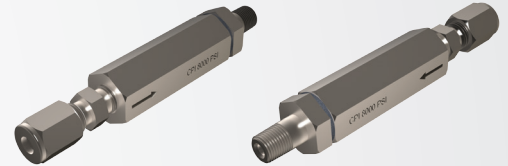
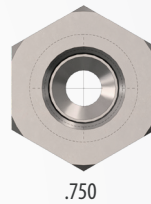
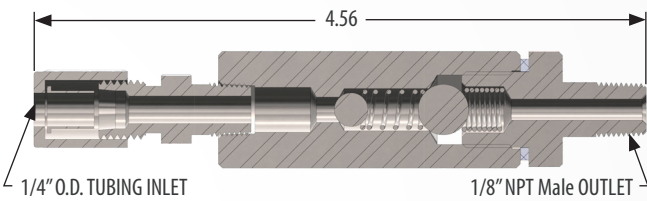


PART NO.	MAX PSI	INLET	OUTLET	MATERIAL	OAL	GASKET
65002000093258	8000	1/4" NPT Female	1/4" NPT Female	300 Stainless	2.41"	Stainless

INLINE DOUBLE BALL

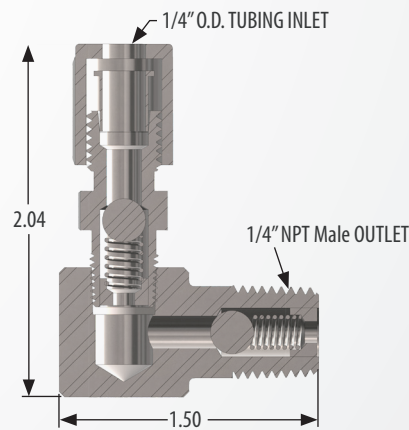
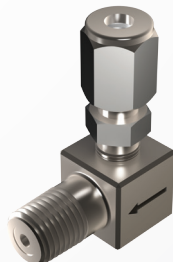


PART NO.	MAX PSI	INLET	OUTLET	MATERIAL	OAL	GASKET
65002000090287	6000	1/4" Tube Flare	1/8" NPT Male	Steel	4.50"	Aluminum



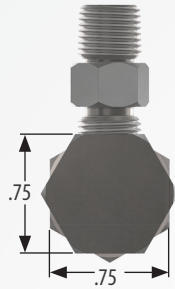
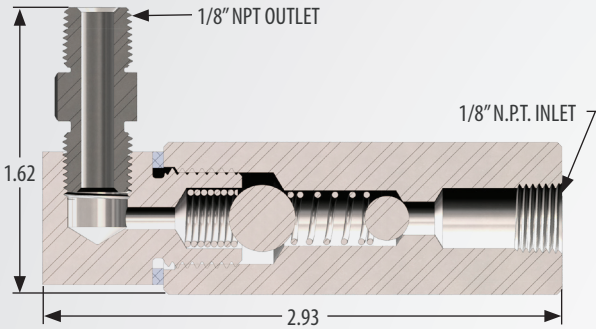
PART NO.	MAX PSI	INLET	OUTLET	MATERIAL	OAL	GASKET
65002000090033	8000	1/4" Tube	1/8" NPT Male	Steel	4.56"	Aluminum
65002000090101	8000	1/4" Tube	1/4" NPT Male	Steel	4.56"	Aluminum
65002000090034	8000	1/4" Tube	1/8" NPT Male	300 Stainless	4.56"	Stainless
65002000090109	8000	1/4" Tube	1/4" NPT Male	300 Stainless	4.56"	Stainless

90° DOUBLE BALL

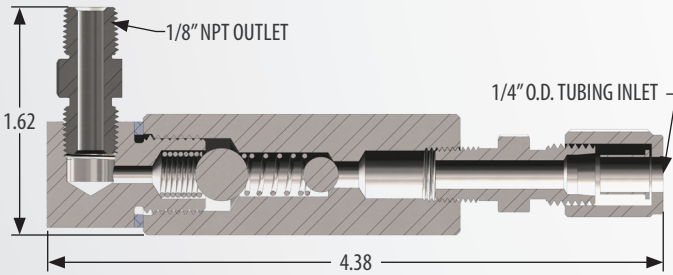


PART NO.	MAX PSI	INLET	OUTLET	MATERIAL	OAL	GASKET
65002000090731	3000	1/4" Tube	1/4" NPT Male	Steel	2.09"	NA
6500200090731SS	3000	1/4" Tube	1/4" NPT Male	300 Stainless	2.09"	NA

90° DOUBLE BALL

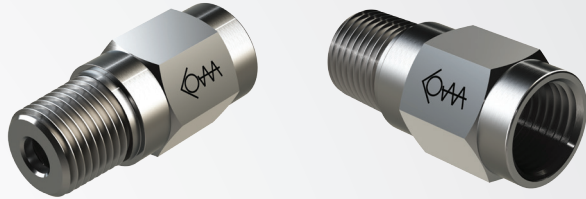
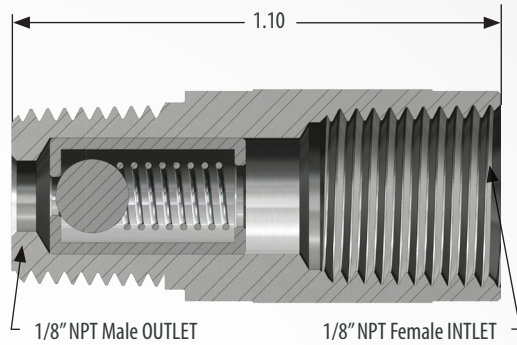


PART NO.	MAX PSI	INLET	OUTLET	MATERIAL	OAL	GASKET
65002000090104	8000	1/8" NPT Female	1/8" NPT Male	Steel	2.93"	Aluminum
65002000090103	8000	1/4" NPT Female	1/4" NPT Male	Steel	2.93"	Aluminum
65002000090112	8000	1/8" NPT Female	1/4" NPT Male	Steel	2.93"	Aluminum
65002000090296	8000	1/4" NPT Female	1/8" NPT Male	Steel	2.93"	Aluminum
65002000090105	8000	1/8" NPT Female	1/8" NPT Male	300 Stainless	2.93"	Stainless
65002000090106	8000	1/4" NPT Female	1/4" NPT Male	300 Stainless	2.93"	Stainless
65002000090297	8000	1/8" NPT Female	1/4" NPT Male	300 Stainless	2.93"	Stainless
65002000090108	8000	1/4" NPT Female	1/8" NPT Male	300 Stainless	2.93"	Stainless

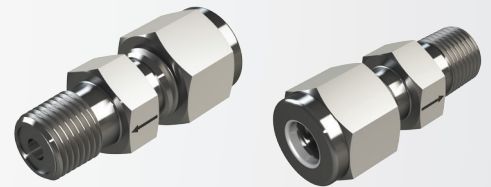
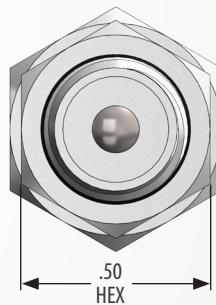
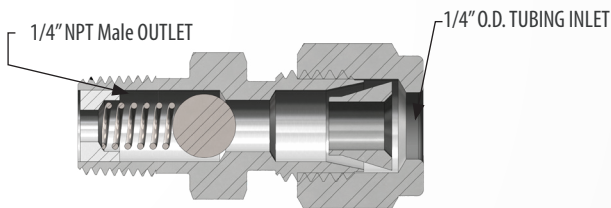


PART NO.	MAX PSI	INLET	OUTLET	MATERIAL	OAL	GASKET
65002000090107	8000	1/4" Tube	1/8" NPT Male	Steel	4.38"	Aluminum
65002000090102	8000	1/4" Tube	1/4" NPT Male	Steel	4.38"	Aluminum
65002000090110	8000	1/4" Tube	1/8" NPT Male	300 Stainless	4.38"	Stainless
65002000090111	8000	1/4" Tube	1/4" NPT Male	300 Stainless	4.38"	Stainless

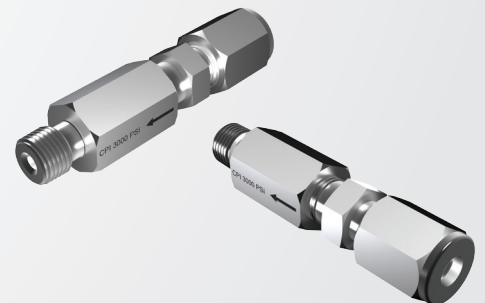
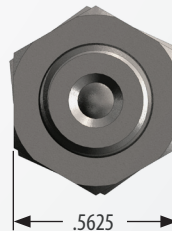
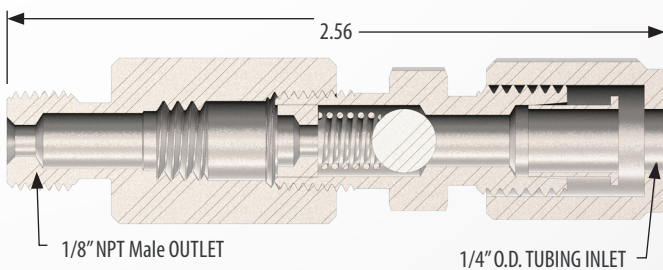
INLINE SINGLE BALL



PART NO.	MAX PSI	INLET	OUTLET	MATERIAL	OAL
650020000094733	1450	1/8 NPT Male	1/8 NPT Female	Steel (Composite Check Ball)	1.10"
650020000094735	5000	1/8 NPT Male	1/8 NPT Female	Steel	1.10"
650020000094736	5000	1/8 NPT Male	1/8 NPT Female	Stainless	1.10"
650020000090501	3000	1/8 NPT Female	1/8 NPT Male	Steel	1.28"
650020000092466	3000	1/8 NPT Female	1/8 NPT Male	Stainless	1.28"
650020000090336	3000	1/4 NPT Female	1/4 NPT Male	Stainless	1.75"

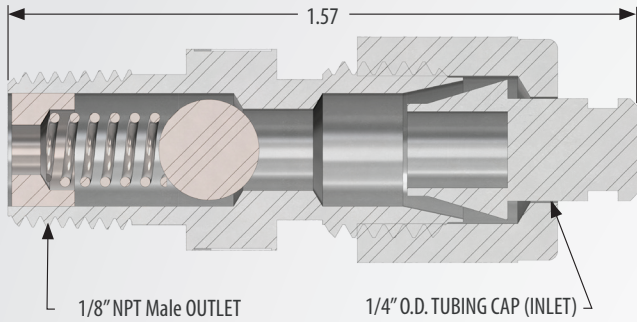


PART NO.	MAX PSI	INLET	OUTLET	MATERIAL	OAL
650020000092872	3000	1/4" Tube	1/8 NPT Male	Steel	1.30
650020000091027	3000	1/4" Tube	1/8 NPT Male	Steel	1.62



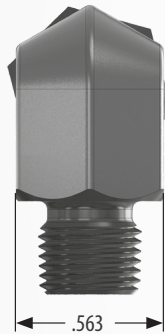
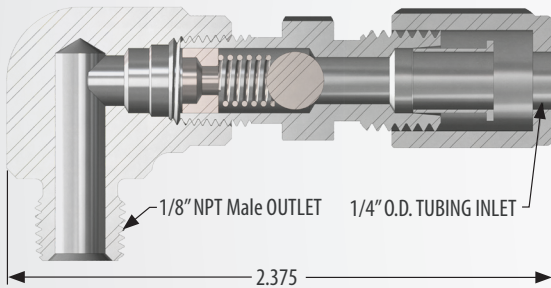
PART NO.	MAX PSI	INLET	OUTLET	MATERIAL	OAL
650020000093513	3000	1/4" Tube	1/8 NPT Male	Steel	2.56

INLINE SINGLE BALL

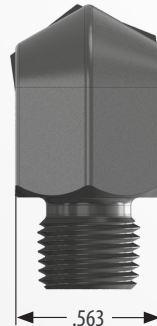
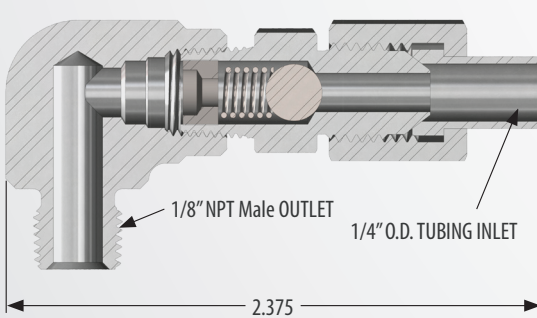


PART NO.	MAX PSI	INLET	OUTLET	MATERIAL	OAL
650020000092918	3000	1/4" Tube	1/8 NPT Male	300 Stainless	1.57"

90° SINGLE BALL



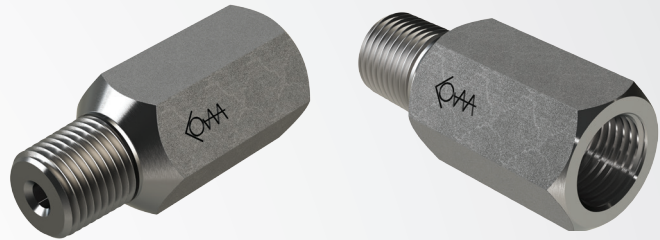
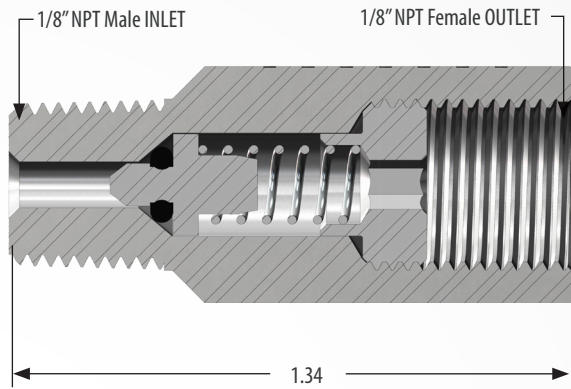
PART NO.	MAX PSI	INLET	OUTLET	MATERIAL	OAL
650020000090040	3000	1/4" Tube	1/8 NPT Male	Steel	2.38"
650020000090329	3000	1/4" Tube	1/8 NPT Male	300 Stainless	2.38"
650020000090329	3000	1/4" Tube	1/4 NPT Male	300 Stainless	2.38"



PART NO.	MAX PSI	INLET	OUTLET	MATERIAL	OAL
650020000090043	3000	1/4" Tube Flare	1/8 NPT Male	Steel	2.38"

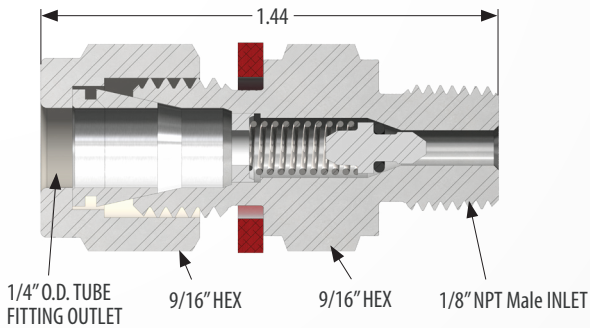
Poppet Check Valves

INLINE SINGLE POPPET

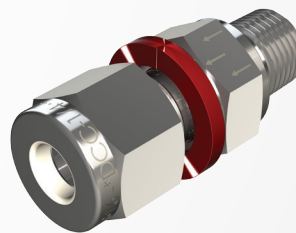


PART NO.	MAX PSI	INLET	OUTLET	MATERIAL	OAL	POPPET QTY	RING COLOR
650020000094731	7250	1/8 NPT Male	1/8 NPT Female	Steel	1.34	Single	NA
650020000094732	7250	1/8 NPT Male	1/8 NPT Female	300 Stainless	1.34	Single	NA
6500200421PRNPT	8000	1/8 NPT Male	1/4 Tube	300 Stainless	1.44	Single	Red
65002000421PROR	8000	Custom 1/8 ORB	1/4 Tube	300 Stainless	1.44	Single	Red
65002000421PNPT	8000	1/4 Tube	1/8 NPT Male	300 Stainless	1.44	Single	Blue
65002000422PNPT	8000	1/4 Tube	1/8 NPT Male	300 Stainless	1.72	Double	Blue

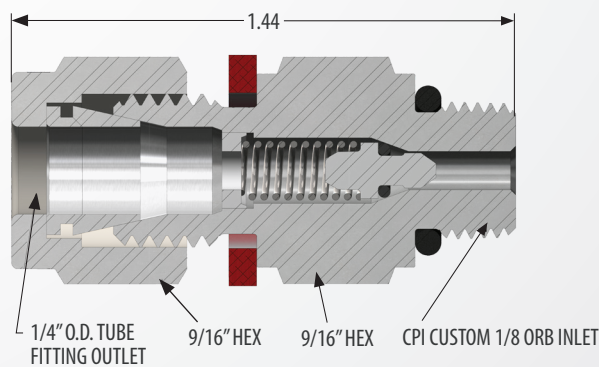
6500200421PRNPT



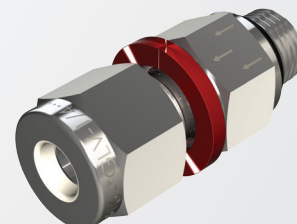
6500200421PRNPT



65002000421PROR

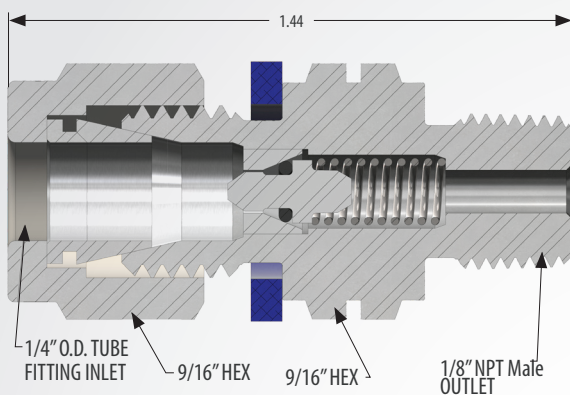


65002000421PROR

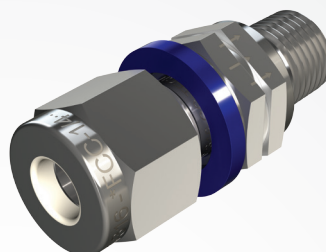


INLINE SINGLE POPPET

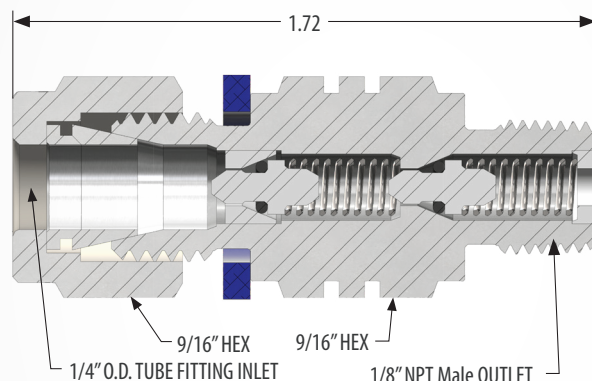
65002000421PNPT



65002000421PNPT



65002000422PNPT



65002000422PNPT

